

High Current Beads / Multilayer ChipSuppressions MI1608 SERIES

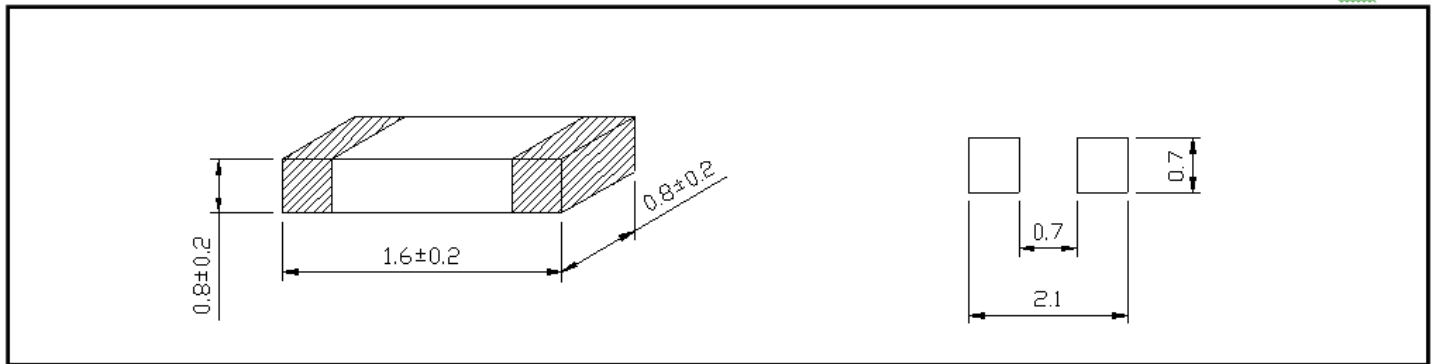


PART NUMBERING SYSTEM

MI	1608	221	2A	LF
TYPE	DIMENSIONS	IMPEDANCE	DC CURRENT	LEAD FREE

SHAPES AND DIMENSIONS

UNIT : mm



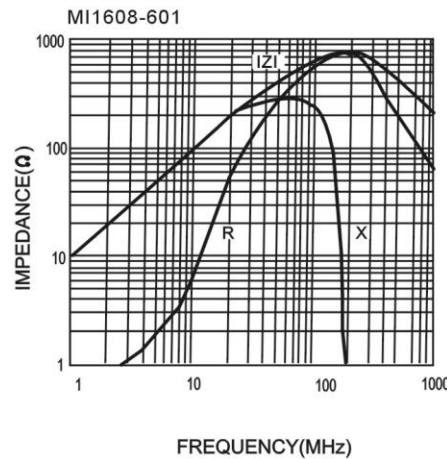
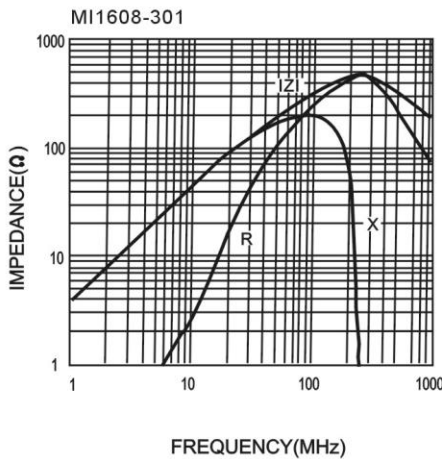
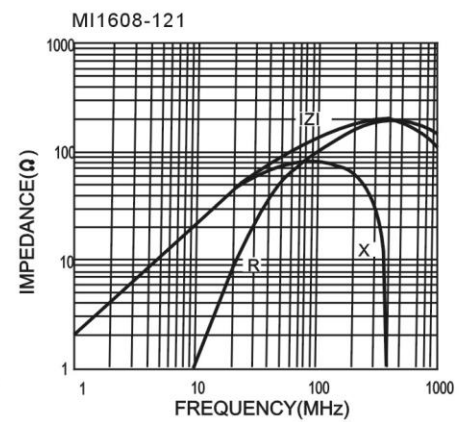
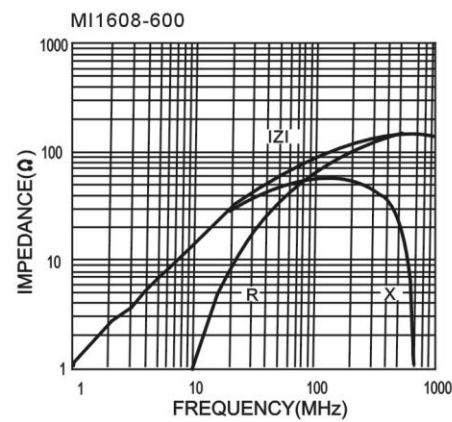
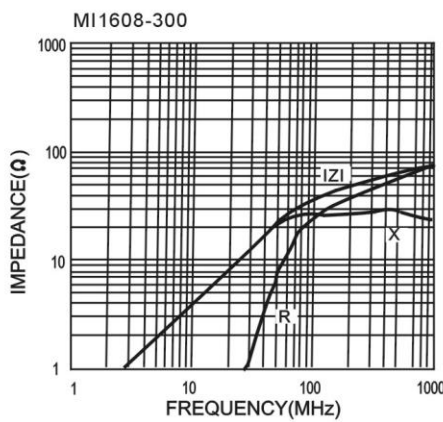
SPECIFICATION TABLE

PART NUMBER	IMPEDANCE (Ω) at 100MHz	DCR (Ω) (Max.)	IDC (A) (Max.)
MI1608-100-4A-LF	10 \pm 25%	0.020	4.0
MI1608-100-5A-LF	10 \pm 25%	0.010	5.0
MI1608-150-3A-LF	15 \pm 25%	0.030	3.0
MI1608-220-1.5A-LF	22 \pm 25%	0.050	1.5
MI1608-260-5A-LF	26 \pm 25%	0.010	5.0
MI1608-280-4A-LF	28 \pm 25%	0.015	4.0
MI1608-300-3A-LF	30 \pm 25%	0.040	3.0
MI1608-300-6A-LF	30 \pm 25%	0.010	6.0
MI1608-470-3A-LF	47 \pm 25%	0.040	3.0
MI1608-600-3A-LF	60 \pm 25%	0.040	3.0
MI1608-680-1A-LF	68 \pm 25%	0.200	1.0
MI1608-700-3A-LF	70 \pm 25%	0.040	3.0
MI1608-101-3A-LF	100 \pm 25%	0.040	3.0

High Current Beads / Multilayer Chip suppressions MI1608

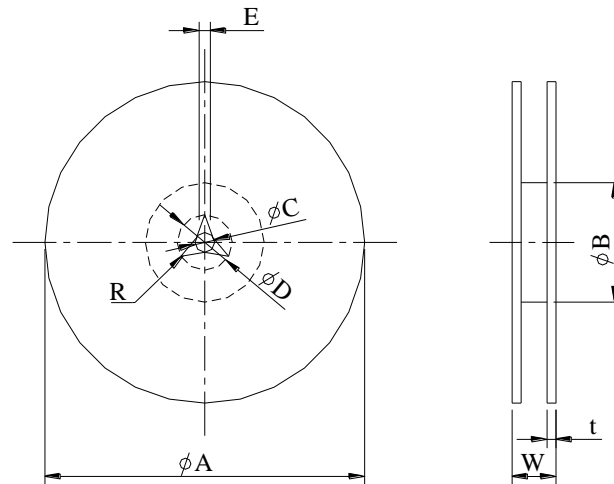
PART NUMBER	IMPEDANCE (Ω) at 100MHz	DCR (Ω) (Max.)	IDC (A) (Max.)
MI1608-121-2A-LF	120 \pm 25%	0.050	2.0
MI1608-121-3A-LF	120 \pm 25%	0.040	3.0
MI1608-151-2A-LF	150 \pm 25%	0.100	2.0
MI1608-181-2A-LF	180 \pm 25%	0.060	2.0
MI1608-201-2A-LF	200 \pm 25%	0.100	2.0
MI1608-221-1A-LF	220 \pm 25%	0.200	1.0
MI1608-221-2A-LF	220 \pm 25%	0.080	2.0
MI1608-221-3A-LF	220 \pm 25%	0.050	3.0
MI1608-301-2A-LF	300 \pm 25%	0.150	2.0
MI1608-331-1.5A-LF	300 \pm 25%	0.100	1.5
MI1608-331-2A-LF	300 \pm 25%	0.150	2.0
MI1608-471-1A-LF	470 \pm 25%	0.200	1.0
MI1608-471-1.5A-LF	470 \pm 25%	0.150	1.5
MI1608-471-2A-LF	470 \pm 25%	0.150	2.0
MI1608-501-1.5A-LF	500 \pm 25%	0.150	1.5
MI1608-601-1A-LF	600 \pm 25%	0.300	1.0
MI1608-601-2A-LF	600 \pm 25%	0.150	2.0
MI1608-102-1A-LF	1000 \pm 25%	0.250	1.0

IMPEDANCE vs FREQUENCY

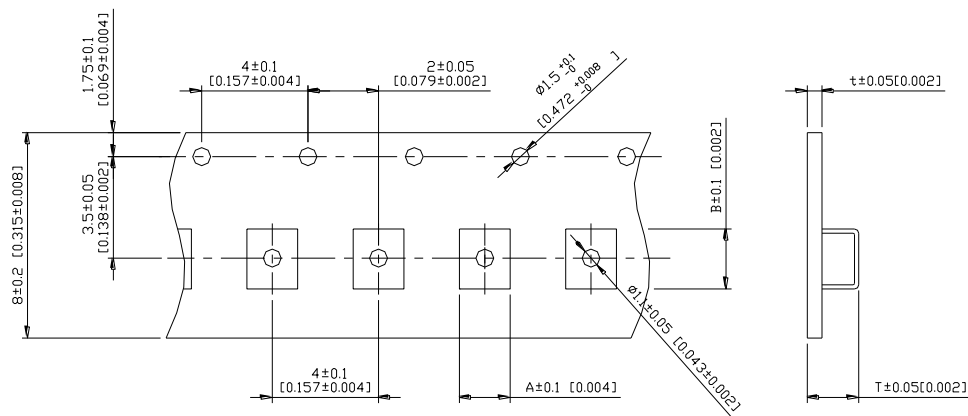


- Test equipment : Agilent/HP-4291A impedance analyzer or equipment .
- Operating temperature range -55°C to $+125^{\circ}\text{C}$
- Electrical specifications at 25°C
- Noise reduction solution for general signal line.
- Great reduce the possibility of resonance and signal wave forms undistorted.
- Excellent solder heat resistance.
- Various impedances are available to match signal frequency.

High Current Beads / Multilayer Chip Suppressions MI1608 SERIES PACKAGING SPECIFICATION



	A	B	C	D	E	W8	W12	t	R
T($\psi 178\text{mm}$) Reel	$\psi 178 \pm 2$	$\psi 60 \pm 1$	$\psi 13 \pm 0.8$	$\psi 21 \pm 0.8$	2	10 ± 1.5	14.5 ± 1.5	1.27 ± 0.2	1



TYPE	A	B	T	t	T($\phi 178\text{mm}$)	T($\phi 330\text{mm}$)
MI 1608	1.10	1.90	1.10	0.2	4000 pcs/reel	-